

# Coils - Not For ATEX

## Technical information

<b>Type:</b>	DIN B
<b>Electrical standards:</b>	EN 60335-1 EN 60730-1
<b>Pull-in power:</b>	Approx. 1.5 x nominal (AC)
<b>Insulation class:</b>	F (155°C)
<b>Duty cycle:</b>	Continuous 100%
<b>Copper enamelled wire:</b>	Temperature class H (200°C)
<b>Bobbin materials:</b>	PA 6.6
<b>Electrical connections:</b>	3 spade connectors (6.3 x 0.8 DIN 46247)



Power	Nominal resistance [Ω]	Nominal current [mA]	Return power	Pull-in/drop-out time	Voltage	Order code
(DC Version) approx. 2.5 W	56	214	0.1 W	15 - 20 ms	12	76.410.00.01
	220	109			24	76.410.00.02
	900	53			48	76.410.00.03
	4300	25.5			110	76.410.00.04
(AC Version) approx. 4.0 / 3.5 VA (50/60Hz)	56	167/146	1.5 VA	15 - 20 ms	24	76.410.02.12
	220	84/73			48	76.410.02.13
	1280	37/32			110	76.410.02.14
	4750	18/16			230	76.410.02.15

# Plugs - Not For ATEX

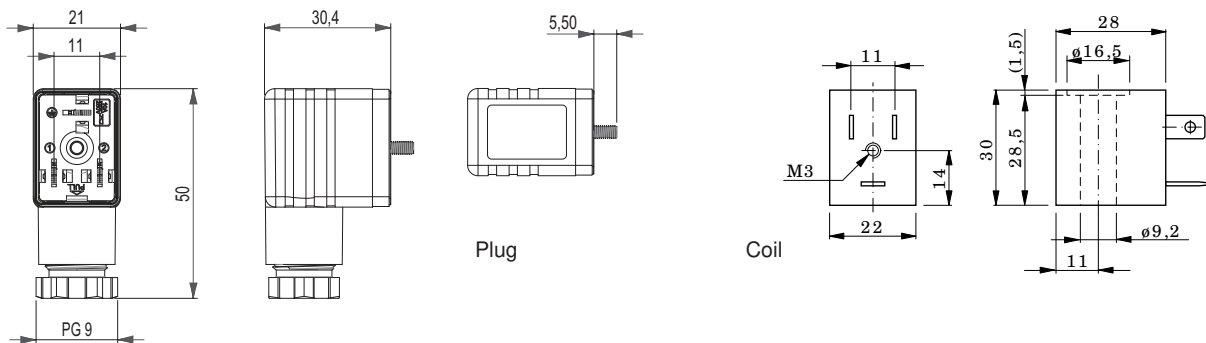
## Technical information

<b>Type:</b>	DIN 43650 type B
<b>Contact resistance:</b>	≤ 5 mΩ
<b>Cable screw connection:</b>	Pg 9
<b>Protection class:</b>	IP 65 with flat gasket.



Casing/colour	LED	Wire cross section	Nominal current	Nominal voltage	Ambient temperature	No. of poles	Order code
PA6 GF/black	None	max 1.5mm <sup>2</sup>	10 A	250V AC/DC	-40°C to +100°C	2+ ground (earth position H12)	PBP.00.N000
PA12/transparent	Yellow		4 A	24V AC/DC	-20°C to +80°C		PBP.00.Y024
PA12/transparent	Yellow		4 A	115V AC	-20°C to +80°C		PBP.00.Y115
PA12/transparent	Yellow		4 A	230V AC	-20°C to +80°C		PBP.00.Y230

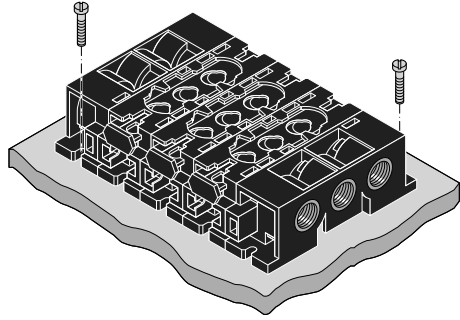
## Dimensional drawings



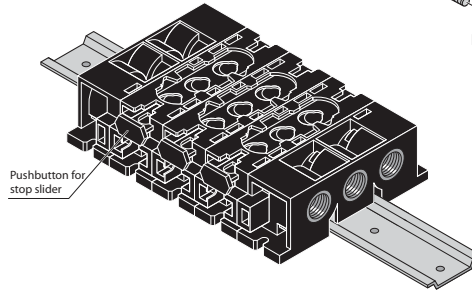
# Manifolds & Subplates

## Plastic Subplates

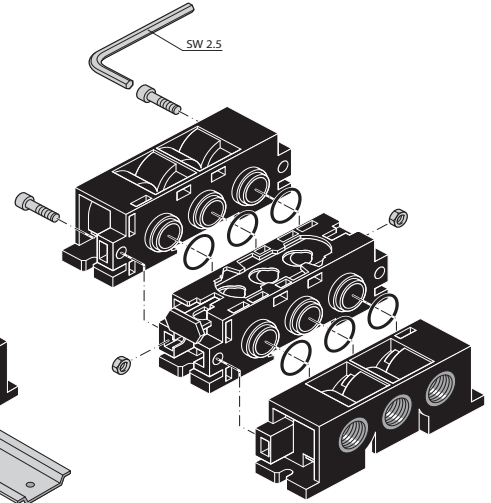
For use with 76.127/76.123 & 76.124 valves



Flat surface mounting

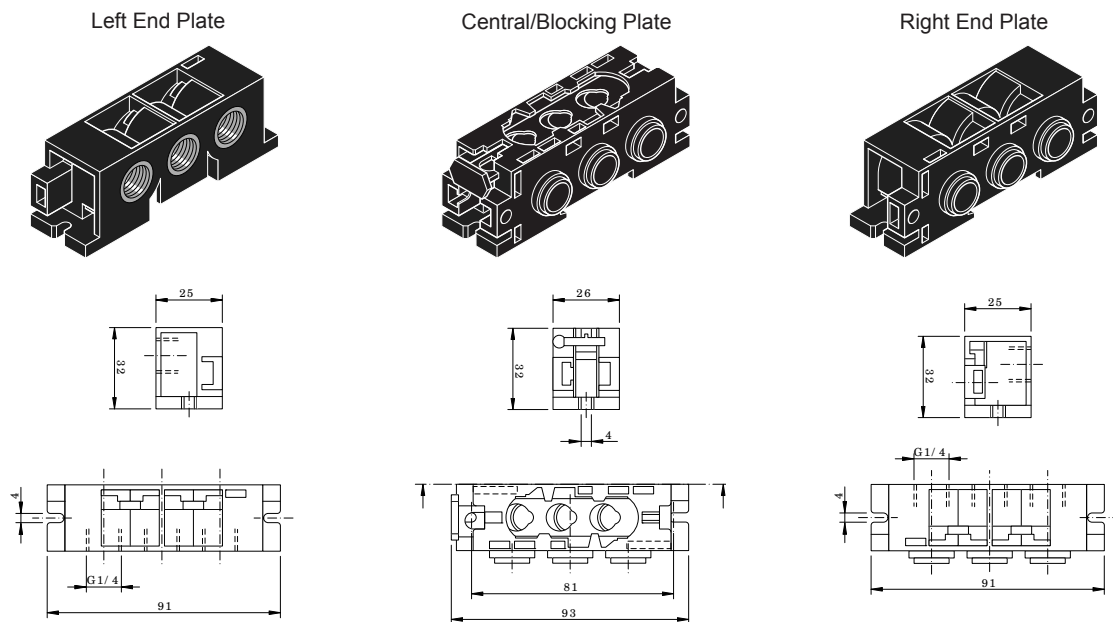


DIN rail mounting (35mm wide H type rail)



Description	Ports	Order code
Left end plate	G1/4	76.420.00.99
Right end plate, includes linking set	G1/4	76.420.00.98
Central plate for mounting valves, includes linking set	-	76.420.00.01
Intermediate blocking plate for differential pressures, includes linking set	-	76.420.00.05
Dummy Plug for unused subplates, one piece required per subplate section	-	76.420.00.06

## Dimensional drawings



# Solenoid Operated Pneumatic Valves

## 5/2 & 5/3 Double Solenoid Control Valve G1/8 Ports

### Technical information

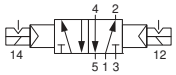
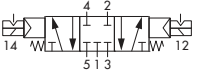
<b>Pressure range:</b>	2.5-10 bar
<b>Temperature range:</b>	-15°C...+50°C
<b>Housing:</b>	Die cast and lacquered aluminium alloy
<b>Seals:</b>	NBR
<b>Lubricant:</b>	Not required
<b>Earthing contact:</b>	Part of the standard device.
<b>Operating medium:</b>	5 micron filtered, lubricated or non-lubricated compressed air



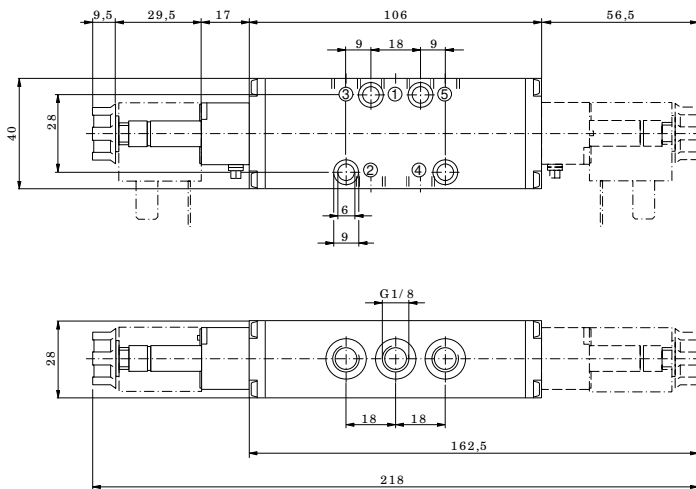
### Other information



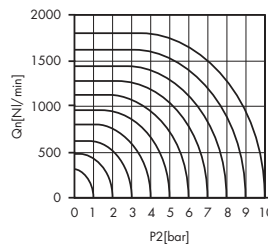
For ATEX certification use suffix code "EX" for example 76.XXX.XX.XX.EX  
 For NPT ports use use prefix code "75" for example 75.XXX.XX.XX  
 Order coils & connecting plugs separately, see data sheet M1002.

Symbol	Description	Type	Orifice	Ports	Order code
	5/2 way double solenoid	Poppet	6mm	G1/8	<b>76.027.92.00</b>
	5/2 way double solenoid	Spool	6mm	G1/8	<b>76.023.92.00</b>
	5/3 way spring return to centre all ports closed	Spool	6mm	G1/8	<b>76.024.12.00</b>
	5/3 way spring return to centre all ports open	Spool	6mm	G1/8	<b>76.024.02.00</b>

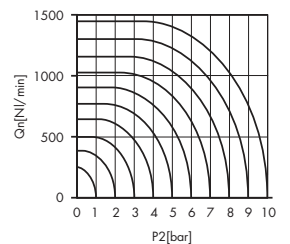
### Dimensional drawings



Flow rate orifice 6mm poppet type  
 $k_v=12,3 \text{ l/min}$



Flow rate orifice 6mm spool type  
 $k_v=9,7 \text{ l/min}$



# Solenoid Operated Pneumatic Valves

## 5/2 & 5/3 Double Solenoid Control Valve G1/4 Ports

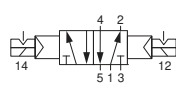
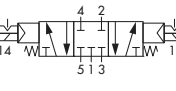
### Technical information

<b>Pressure range:</b>	2.5-10 bar
<b>Temperature range:</b>	-15°C...+50°C
<b>Housing:</b>	Glass fibre reinforced PPA
<b>Seals:</b>	NBR
<b>Lubricant:</b>	Not required
<b>Earthing contact:</b>	Part of the standard device.
<b>Operating medium:</b>	5 micron filtered, lubricated or non-lubricated compressed air.

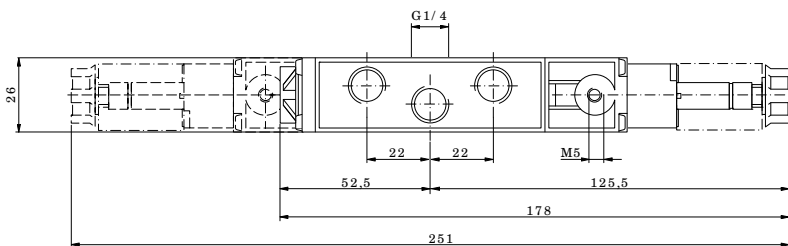
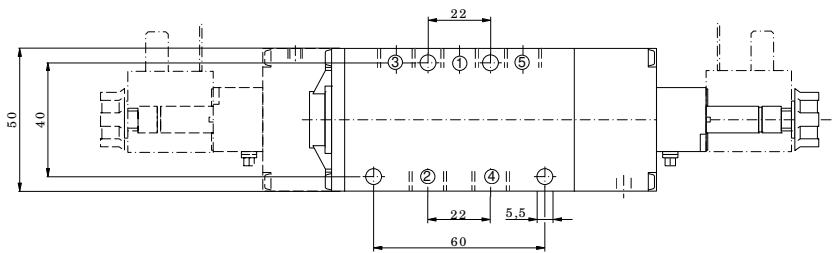


### Other information

For NPT ports use prefix code "75" for example 75.XXX.XX.XX  
Order coils & connecting plugs separately, see data sheet M1002.

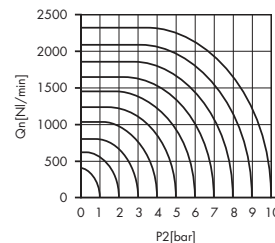
Symbol	Description	Type	Orifice	Ports	Order code
	5/2 way double solenoid	Poppet	8mm	G1/4	<b>76.147.92.00</b>
	5/2 way double solenoid	Spool	8mm	G1/4	<b>76.143.92.00</b>
	5/3 way spring return to centre all ports closed	Spool	8mm	G1/4	<b>76.144.12.00</b>
	5/3 way spring return to centre all ports open	Spool	8mm	G1/4	<b>76.144.02.00</b>

### Dimensional drawings



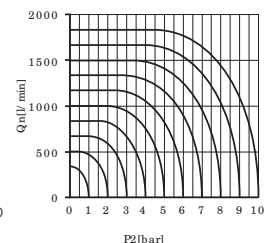
Flow rate orifice 8mm poppet type

kv=15,8 l/min



Flow rate orifice 8mm spool type

kv=12,40 l/min



# Solenoid Operated Pneumatic Valves

## 5/2 & 5/3 Double Solenoid Control Valve G1/8 Ports

### Technical information

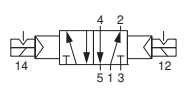
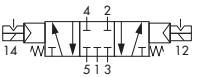
<b>Pressure range:</b>	2.5-10 bar
<b>Temperature range:</b>	-15°C...+50°C
<b>Housing:</b>	Die cast and lacquered aluminium alloy
<b>Seals:</b>	NBR
<b>Lubricant:</b>	Not required
<b>Earthing contact:</b>	Part of the standard device.
<b>Operating medium:</b>	5 micron filtered, lubricated or non-lubricated compressed air



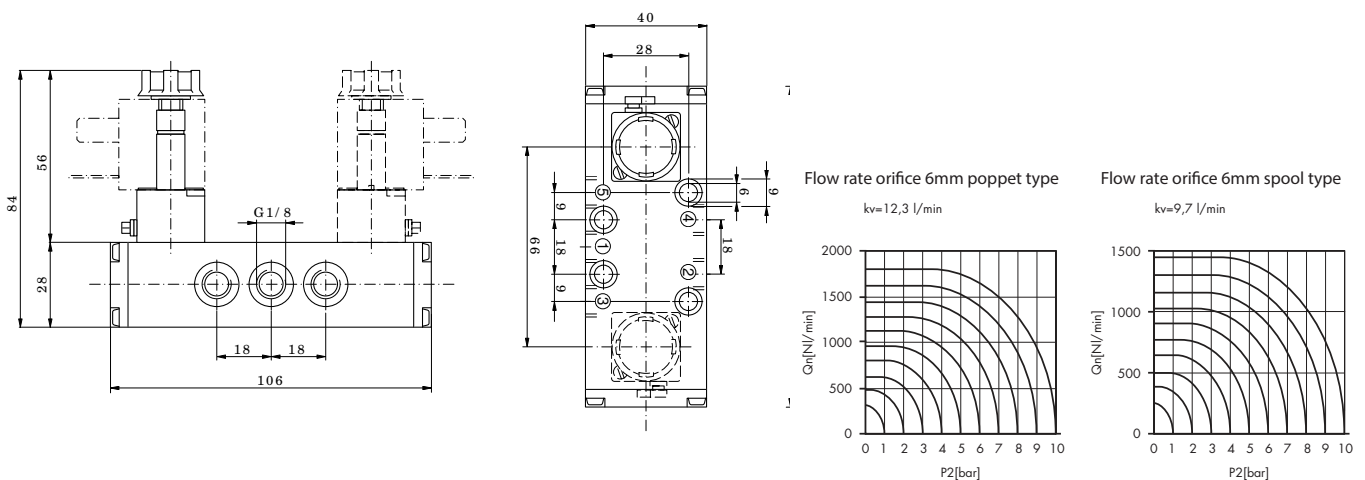
### Other information



For ATEX certification use suffix code "EX" for example 76.XXX.XX.XX.EX  
 For NPT ports use prefix code "75" for example 75.XXX.XX.XX  
 Order coils & connecting plugs separately, see data sheet M1002.

Symbol	Description	Type	Orifice	Ports	Order code
	5/2 way double solenoid	Poppet	6mm	G1/8	<b>76.027.95.00</b>
	5/2 way double solenoid	Spool	6mm	G1/8	<b>76.023.95.00</b>
	5/3 way spring return to centre all ports closed	Spool	6mm	G1/8	<b>76.024.15.00</b>
	5/3 way spring return to centre all ports open	Spool	6mm	G1/8	<b>76.024.05.00</b>

### Dimensional drawings



# Solenoid Operated Pneumatic Valves

## 5/2 & 5/3 Way Double Solenoid Control Valve G1/4 Ports

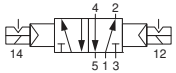
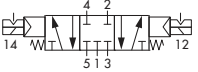
### Technical information

<b>Pressure range:</b>	2.5-10 bar
<b>Temperature range:</b>	-15°C...+50°C
<b>Housing:</b>	Glass fibre reinforced PPA
<b>Seals:</b>	NBR
<b>Lubricant:</b>	Not required
<b>Earthing contact:</b>	Part of the standard device.
<b>Operating medium:</b>	5 micron filtered, lubricated or non-lubricated compressed air.

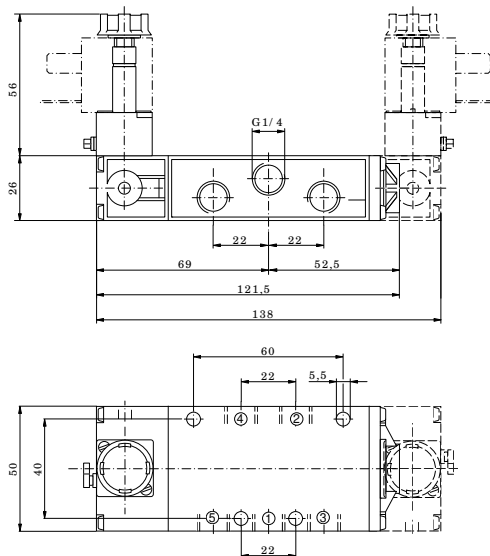


### Other information

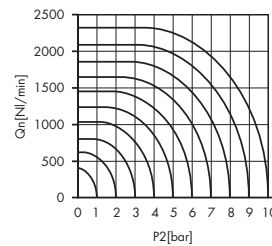
For NPT ports use prefix code "75" for example 75.XXX.XX.XX  
Order coils & connecting plugs separately, see data sheet M1002.

Symbol	Description	Type	Orifice	Ports	Order code
	5/2 way double solenoid	Poppet	8mm	G1/4	<b>76.147.95.00</b>
	5/2 way double solenoid	Spool	8mm	G1/4	<b>76.143.95.00</b>
	5/3 way spring return to centre all ports closed	Spool	8mm	G1/4	<b>76.144.15.00</b>
	5/3 way spring return to centre all ports open	Spool	8mm	G1/4	<b>76.144.05.00</b>

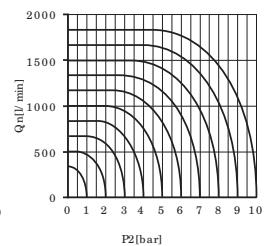
### Dimensional drawings



Flow rate orifice 8mm poppet type  
kv=15,8 l/min



Flow rate orifice 8mm spool type  
kv=12,40 l/min





# Solenoid Operated Pneumatic Valves

## 3/2 Way Single Solenoid Control Valve G1/8 & G1/4 Ports

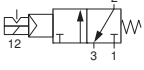
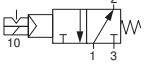
### Technical information

<b>Pressure range:</b>	2.5-10 bar
<b>Temperature range:</b>	-15°C...+50°C
<b>Housing:</b>	Glass fibre reinforced PPA
<b>Seals:</b>	NBR
<b>Lubricant:</b>	Not required
<b>Earthing contact:</b>	Part of the standard device.
<b>Operating medium:</b>	5 micron filtered, lubricated or non-lubricated compressed air.

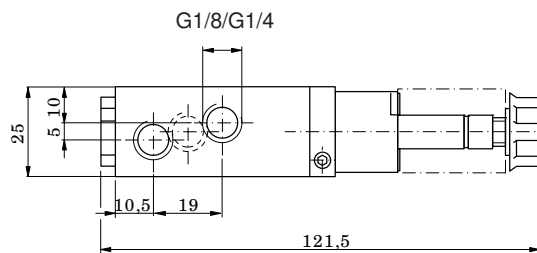
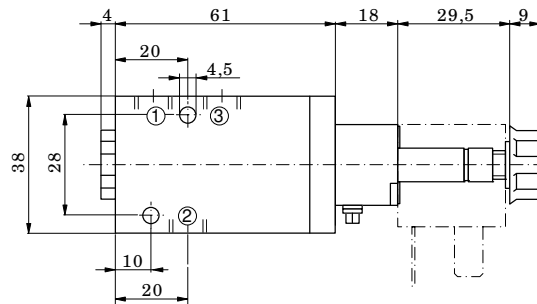


### Other information

For NPT ports use prefix code "75" for example 75.XXX.XX.XX  
For vacuum please use code 76.7XX.XX.XX  
Order coils & connecting plugs separately, see data sheet M1002.

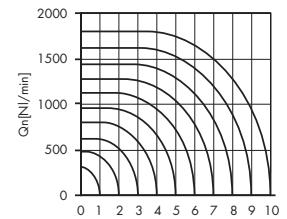
Symbol	Description	Type	Orifice	Ports	Order code
	3/2 way normally closed spring return	Poppet	6mm	G1/8	<b>76.126.01.00</b>
	3/2 way normally closed spring return	Poppet	8mm	G1/4	<b>76.146.01.00</b>
	3/2 way normally open spring return	Poppet	6mm	G1/8	<b>76.126.11.00</b>
	3/2 way normally open spring return	Poppet	8mm	G1/4	<b>76.146.11.00</b>

### Dimensional drawings



Flow rate orifice 6mm poppet type

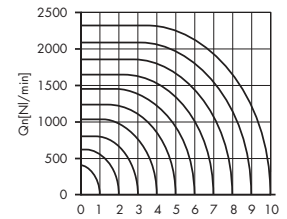
kv=12,3 l/min



P2[bar]

Flow rate orifice 8mm poppet type

kv=15,8 l/min



P2[bar]

# Solenoid Operated Pneumatic Valves

## 3/2 Way Single Solenoid Control Valve G1/2 Ports

### Technical information

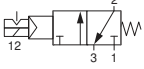
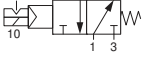
<b>Pressure range:</b>	2.5-10 bar
<b>Temperature range:</b>	-15°C...+50°C
<b>Housing:</b>	Lacquered aluminium alloy
<b>Seals:</b>	NBR
<b>Lubricant:</b>	Not required
<b>Earthing contact:</b>	Part of the standard device.
<b>Operating medium:</b>	5 micron filtered, lubricated or non-lubricated compressed air



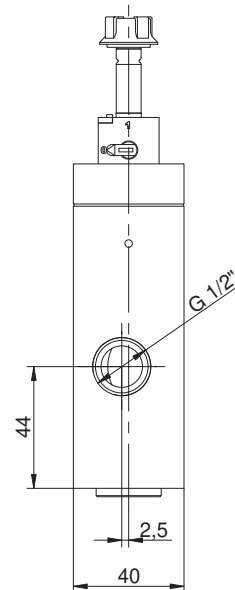
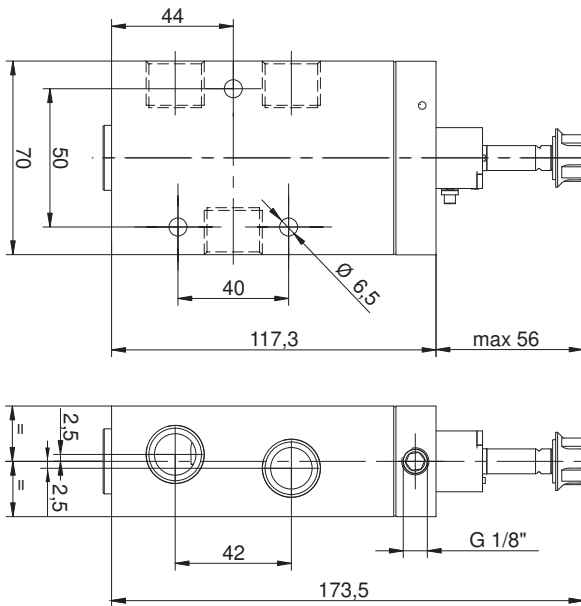
### Other information



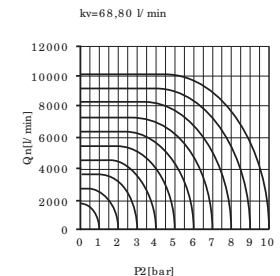
For ATEX certification use suffix code "EX" for example 76.XXX.XX.XX.EX  
 For NPT ports use prefix code "75" for example 75.XXX.XX.XX  
 For vacuum please use code 76.2XX.XX.XX \*\*this version only.  
 Order coils & connecting plugs separately, see data sheet M1002.

Symbol	Description	Type	Orifice	Ports	Order code
	3/2 way normally closed spring return**	Poppet	15mm	G1/2	76.066.01.00
	3/2 way normally open spring return	Poppet	15mm	G1/2	76.066.11.00

### Dimensional drawings



Flow rate orifice 15mm poppet type





# Solenoid Operated Pneumatic Valves

## 5/2 Way Single Solenoid Control Valve G1/8 Ports

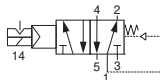
### Technical information

<b>Pressure range:</b>	2.5-10 bar
<b>Temperature range:</b>	-15°C...+50°C
<b>Housing:</b>	Plastic material (IXEF)
<b>Seals:</b>	NBR
<b>Lubricant:</b>	Not required.
<b>Earthing contact:</b>	Part of the standard device.
<b>Operating medium:</b>	5 micron filtered, lubricated or non-lubricated compressed air.

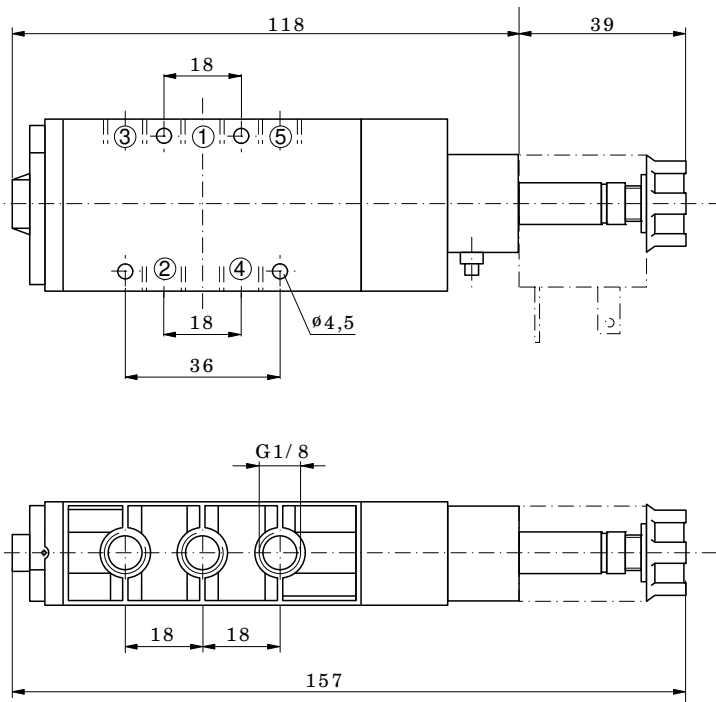


### Other information

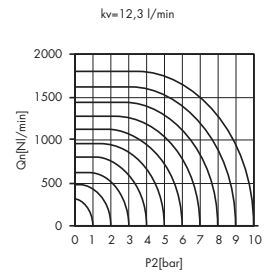
Subplates are available for this product, see data sheet M1001.  
 Order coils & connecting plugs separately, see data sheet M1002.

Symbol	Description	Type	Orifice	Ports	Order code
	5/2 way spring return	Poppet	6mm	G1/8	<b>76.127.91.00</b>
	5/2 way spring return	Spool	6mm	G1/8	<b>76.123.91.00</b>

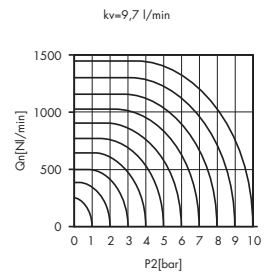
### Dimensional drawings



Flow rate orifice 6mm poppet type



Flow rate orifice 6mm spool type



# Solenoid Operated Pneumatic Valves

## 5/2 Way Single Solenoid Control Valve G1/8 Ports

### Technical information

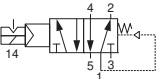
<b>Pressure range:</b>	2.5-10 bar
<b>Temperature range:</b>	-15°C...+50°C
<b>Housing:</b>	Die cast and lacquered aluminium alloy
<b>Seals:</b>	NBR
<b>Lubricant:</b>	Not required
<b>Earthing contact:</b>	Part of the standard device.
<b>Operating medium:</b>	5 micron filtered, lubricated or non-lubricated compressed air



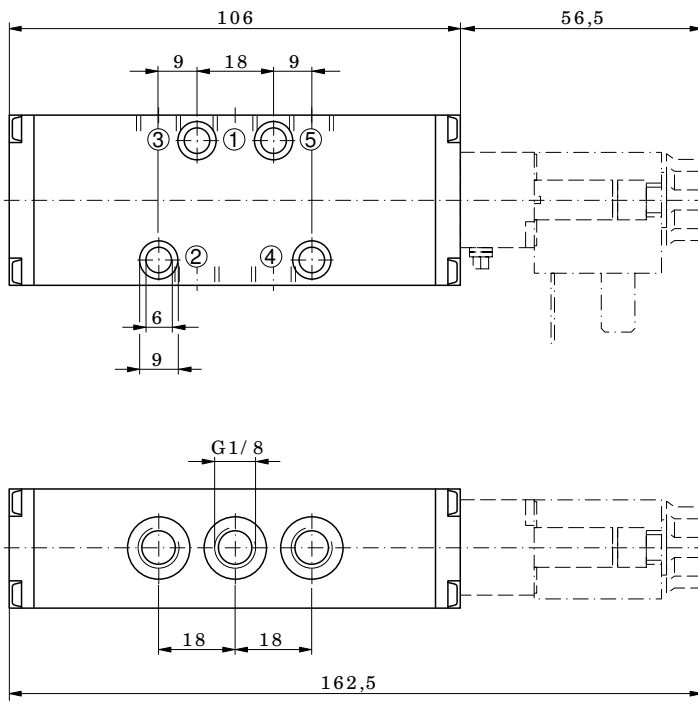
### Other information



For ATEX certification use suffix code "EX" for example 76.XXX.XX.XX.EX  
For NPT ports use prefix code "75" for example 75.XXX.XX.XX  
Order coils & connecting plugs separately, see data sheet M1002.

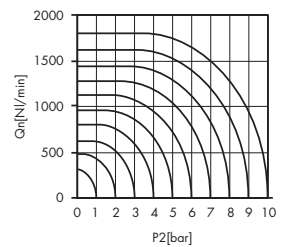
Symbol	Description	Type	Orifice	Ports	Order code
	5/2 way spring return	Poppet	6mm	G1/8	<b>76.027.91.00</b>
	5/2 way spring return	Spool	6mm	G1/8	<b>76.023.91.00</b>

### Dimensional drawings



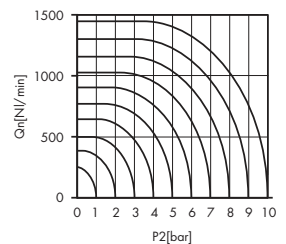
Flow rate orifice 6mm poppet type

$k_v=12,3$  l/min



Flow rate orifice 6mm spool type

$k_v=9,7$  l/min



# Solenoid Operated Pneumatic Valves

## 5/2 Way Single Solenoid Control Valve G1/4 Ports

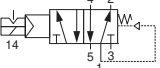
### Technical information

<b>Pressure range:</b>	2.5-10 bar
<b>Temperature range:</b>	-15°C...+50°C
<b>Housing:</b>	Glass fibre reinforced PPA
<b>Seals:</b>	NBR
<b>Lubricant:</b>	Not required
<b>Earthing contact:</b>	Part of the standard device.
<b>Operating medium:</b>	5 micron filtered, lubricated or non-lubricated compressed air.

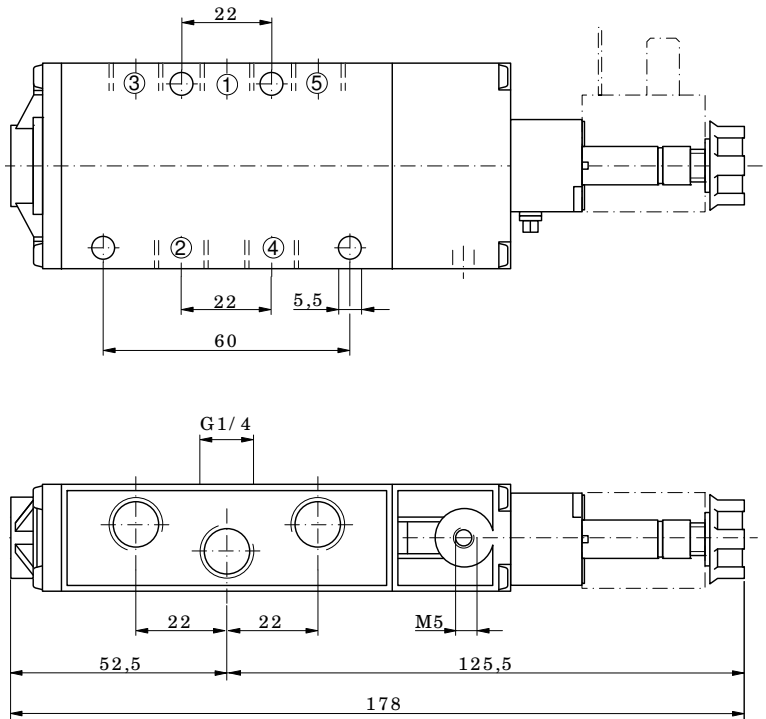


### Other information

For NPT ports use prefix code "75" for example 75.XXX.XX.XX  
Order coils & connecting plugs separately, see data sheet M1002.

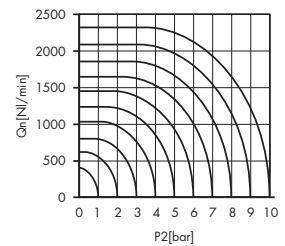
Symbol	Description	Type	Orifice	Ports	Order code
	5/2 way spring return	Poppet	8mm	G1/4	<b>76.147.91.00</b>
	5/2 way spring return	Spool	8mm	G1/4	<b>76.143.91.00</b>

### Dimensional drawings



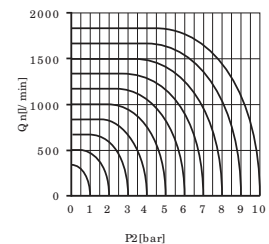
Flow rate orifice 8mm poppet type

$k_v=15,8 \text{ l/min}$



Flow rate orifice 8mm spool type

$k_v=12,40 \text{ l/min}$



# Solenoid Operated Pneumatic Valves

## 5/2 Way Single & Double Solenoid Control Valve G1/2 Ports

### Technical information

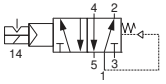
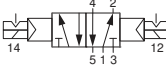
<b>Pressure range:</b>	2.5-10 bar
<b>Temperature range:</b>	-15°C...+50°C
<b>Housing:</b>	Lacquered aluminium alloy
<b>Seals:</b>	NBR
<b>Lubricant:</b>	Not required
<b>Earthing contact:</b>	Part of the standard device.
<b>Operating medium:</b>	5 micron filtered, lubricated or non-lubricated compressed air



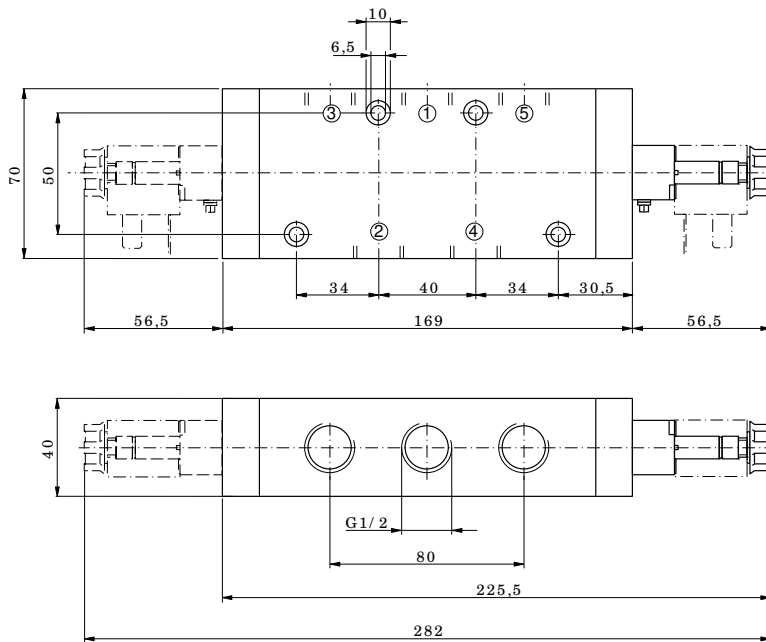
### Other information



For ATEX certification use suffix code "EX" for example 76.XXX.XX.XX.EX  
 For NPT ports use prefix code "75" for example 75.XXX.XX.XX  
 Order coils & connecting plugs separately, see data sheet M1002.

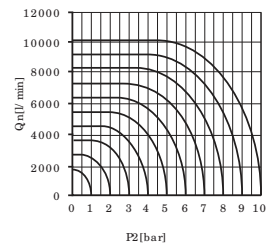
Symbol	Description	Type	Orifice	Ports	Order code
	5/2 way spring return	Poppet	15mm	G1/2	<b>76.067.91.00</b>
	5/2 way double solenoid	Poppet	15mm	G1/2	<b>76.067.92.00</b>

### Dimensional drawings



Flow rate orifice 15mm poppet type

kv=68,80 l/min



# Solenoid Operated Pneumatic Valves

## 5/2 Way Single & Double Solenoid Control Valve G1/2 Ports

### Technical information

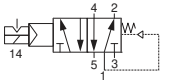
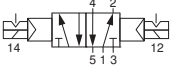
<b>Pressure range:</b>	2.5-10 bar
<b>Temperature range:</b>	-15°C...+50°C
<b>Housing:</b>	Lacquered aluminium alloy
<b>Seals:</b>	NBR
<b>Lubricant:</b>	Not required
<b>Earthing contact:</b>	Part of the standard device.
<b>Operating medium:</b>	5 micron filtered, lubricated or non-lubricated compressed air



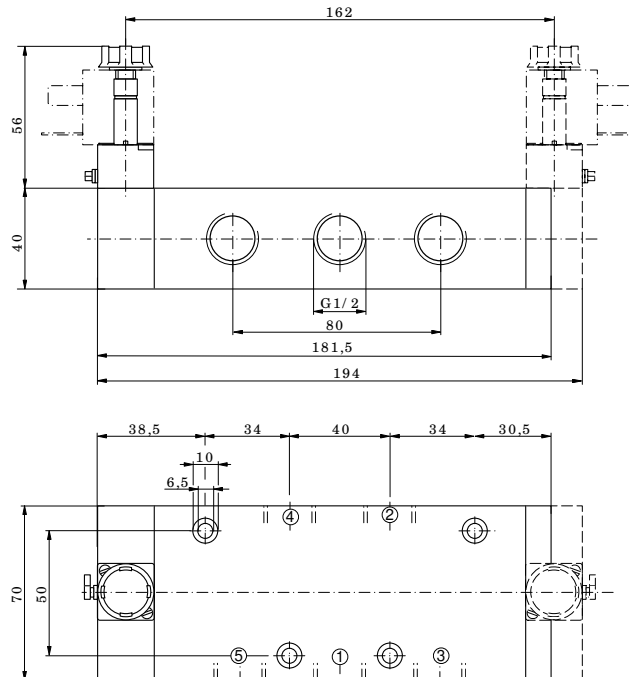
### Other information



For ATEX certification use suffix code "EX" for example 76.XXX.XX.XX.EX  
For NPT ports use prefix code "75" for example 75.XXX.XX.XX  
Order coils & connecting plugs separately, see data sheet M1002.

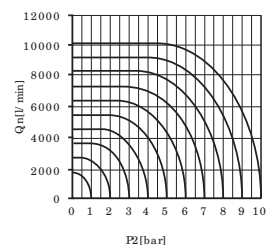
Symbol	Description	Type	Orifice	Ports	Order code
	5/2 way spring return	Poppet	15mm	G1/2	<b>76.067.94.00</b>
	5/2 way double solenoid	Poppet	15mm	G1/2	<b>76.067.95.00</b>

### Dimensional drawings



Flow rate orifice 15mm poppet type

kv=68,80 l/min



# Solenoid Operated Pneumatic Valves

## 5/2 Way Single Solenoid Control Valve G1/8 Ports

### Technical information

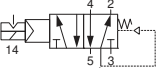
<b>Pressure range:</b>	2.5-10 bar
<b>Temperature range:</b>	-15°C...+50°C
<b>Housing:</b>	Die cast and lacquered aluminium alloy
<b>Seals:</b>	NBR
<b>Lubricant:</b>	Not required
<b>Earthing contact:</b>	Part of the standard device.
<b>Operating medium:</b>	5 micron filtered, lubricated or non-lubricated compressed air



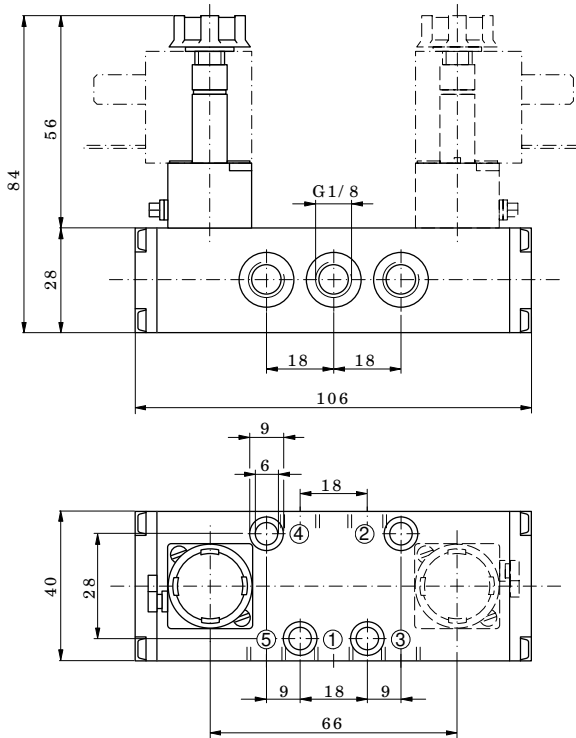
### Other information



For ATEX certification use suffix code "EX" for example 76.XXX.XX.XX.EX  
For NPT ports use prefix code "75" for example 75.XXX.XX.XX  
Order coils & connecting plugs separately, see data sheet M1002.

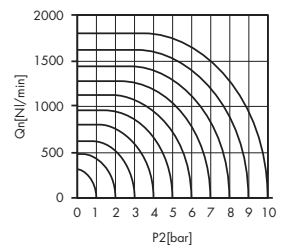
Symbol	Description	Type	Orifice	Ports	Order code
	5/2 way spring return	Poppet	6mm	G1/8	<b>76.027.94.00</b>
	5/2 way spring return	Spool	6mm	G1/8	<b>76.023.94.00</b>

### Dimensional drawings



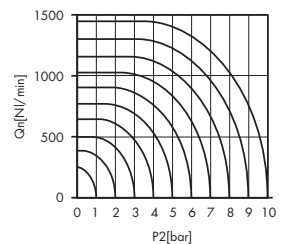
Flow rate orifice 6mm poppet type

$k_v=12,3 \text{ l/min}$



Flow rate orifice 6mm spool type

$k_v=9,7 \text{ l/min}$





# Solenoid Operated Pneumatic Valves

## 5/2 Way Single Solenoid Control Valve G1/4 Ports

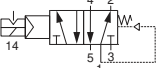
### Technical information

<b>Pressure range:</b>	2.5-10 bar
<b>Temperature range:</b>	-15°C...+50°C
<b>Housing:</b>	Glass fibre reinforced PPA
<b>Seals:</b>	NBR
<b>Lubricant:</b>	Not required
<b>Earthing contact:</b>	Part of the standard device.
<b>Operating medium:</b>	5 micron filtered , lubricated or non-lubricated compressed air.

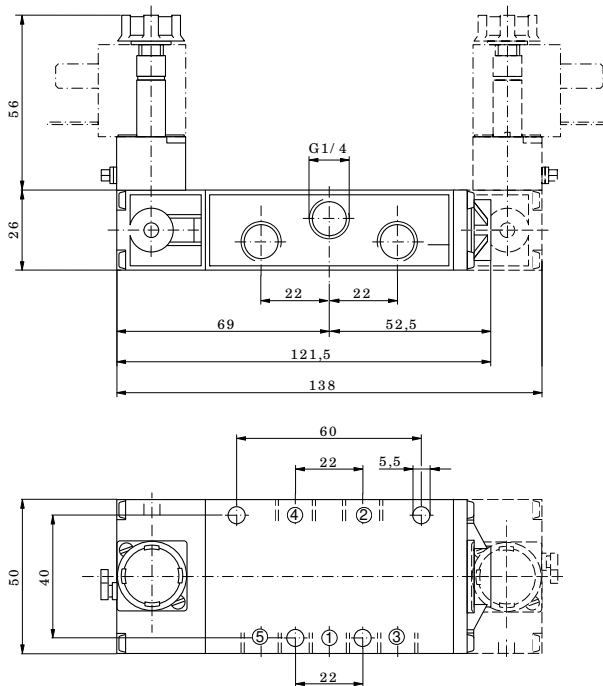


### Other information

For NPT ports use prefix code "75" for example 75.XXX.XX.XX  
 Order coils & connecting plugs separately, see data sheet M1002.

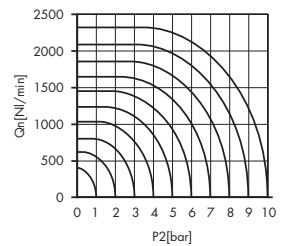
Symbol	Description	Type	Orifice	Ports	Order code
	5/2 way spring return	Poppet	8mm	G1/4	<b>76.147.94.00</b>
	5/2 way spring return	Spool	8mm	G1/4	<b>76.143.94.00</b>

### Dimensional drawings



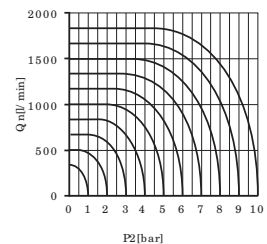
Flow rate orifice 8mm poppet type

kv=15,8 l/min



Flow rate orifice 8mm spool type

kv=12,40 l/min



# Coils

## Technical information

Type:	DIN C
Electrical standards:	EN 60335-1
Pull-in power:	Approx. 1.6 x nominal
Insulation class:	F (155°C)
Duty cycle:	Continuous 100%
Copper enamelled wire:	Temperature class H (200°C)
Bobbin materials:	PA 6.6
Electrical connections:	3 spade connectors



Power	Nominal resistance [ $\Omega$ ]	Nominal current [mA]	Voltage	Order code
(DC Version) approx. 1.1 W	125	96	12	77.610.00.01
	500	48	24	77.610.00.02
	2000	24	48	77.610.00.03
	10500	10.5	110	77.610.00.04
(AC Version) approx. 2.0 / 1.7 VA (50/60Hz)	35	165/138	12	77.610.00.11
	125	100/87	24	77.610.00.12
	460	48/40	48	77.610.00.13
	2850	19/16	110	77.610.00.14
	9000	9/8	230	77.610.00.15

# Plugs

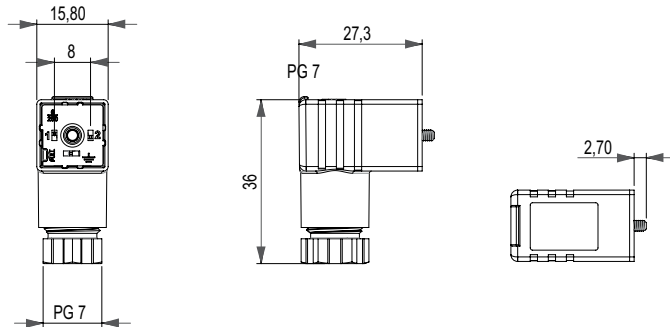
## Technical information

Type:	DIN 43650 type C
Contact resistance:	$\leq 5 \text{ m}\Omega$
Cable screw connection:	Pg 7
Protection class:	IP 65 with f at gasket.



Casing/colour	LED	Wire cross section	Nominal current	Nominal voltage	Ambient temperature	No. of poles	Order code
PA6 GF/black	None	max 1mm <sup>2</sup>	6 A	250V AC/DC	-40°C to +100°C	2+ ground (earth position H6)	PCP.00.N000
PA12/transparent	Yellow		4 A	24V AC/DC	-20°C to +80°C		PCP.00.Y024
PA12/transparent	Yellow		4 A	115V AC	-20°C to +80°C		PCP.00.Y115
PA12/transparent	Yellow		4 A	230V AC	-20°C to +80°C		PCP.00.Y230

## Dimensional drawings



# Manifolds & Subplates

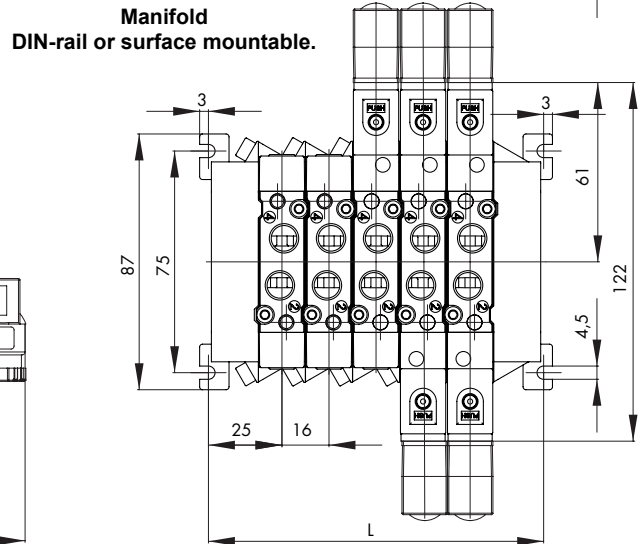
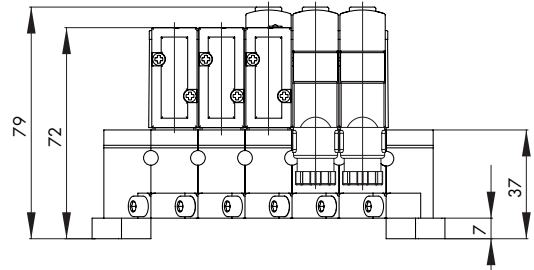
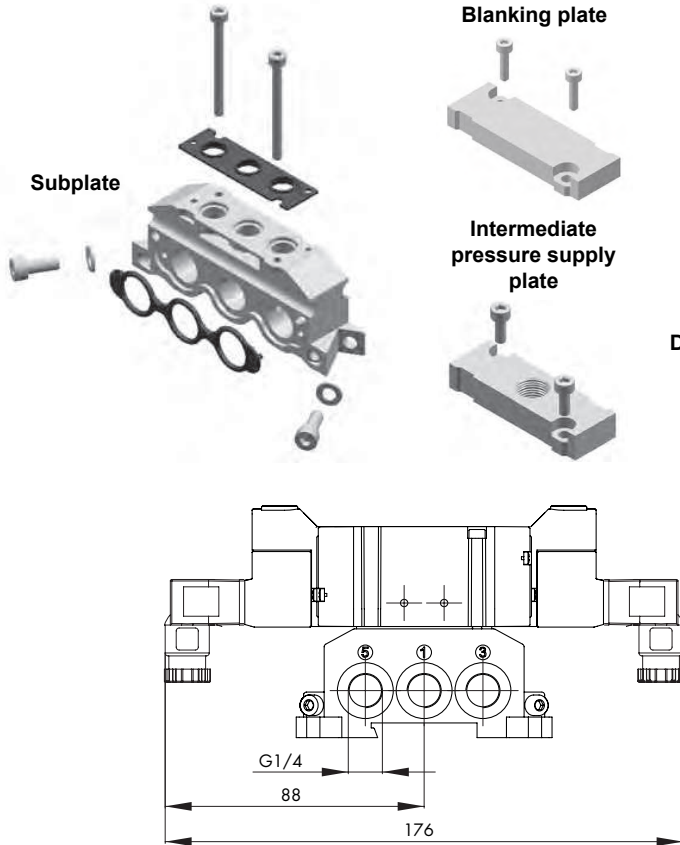


All accessories are included to complete your manifold including banjo screws and washers for the respective parts ordered.

For use with the following valve types: 77.0XX.XX

Description	Order code
Subplate for mounting valves	77.040.00.13
Subplate for mounting valves closed opposite side of the seal	77.040.00.14
Subplate for mounting valves closed pressure/open exhausts	77.040.00.15
End plates one side feeding G1/4 ports	77.040.00.18
End plates both sides feeding G1/4 ports	77.040.00.19
Blanking plate for unused positions, requires a subplate for mounting	77.040.00.20
Intermediate pressure supply plate, requires a subplate for mounting	77.040.00.40

## Dimensional drawings



Stations	2	3	4	5	6	7	8	9	10	11	12	13	14	15	16	17	18	19	20
L	66	82	98	114	130	146	162	178	194	210	226	242	258	274	290	306	322	338	354

# Air Pilot Operated Manifold Valves

## 2 x 3/2 Way G1/8 Double Pilot Control

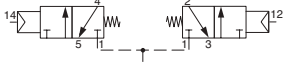
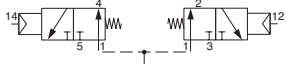
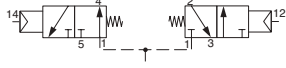
### Technical information

<b>Pressure range:</b>	2-8 bar
<b>Temperature range:</b>	-5°C...+50°C
<b>Flow rate:</b>	800 NI/min
<b>Housing:</b>	Aluminium alloy
<b>Sealing element:</b>	Soft spool
<b>Lubricant:</b>	Not required
<b>Operating medium:</b>	5 micron filtered, lubricated or non-lubricated compressed air

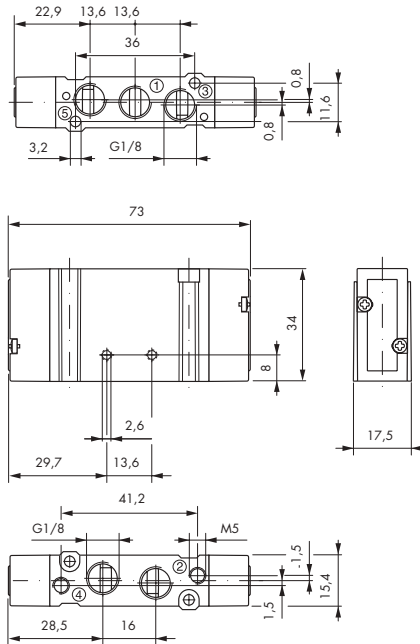


### Other information

Subplates are available for this product, see data sheet M1018.

Symbol	Description	Type	Orifice	Ports	Order code
	2 x 3/2 way normally closed	Spool	6mm	G1/8	<b>77.022.14.00</b>
	2 x 3/2 way normally open	Spool	6mm	G1/8	<b>77.022.24.00</b>
	2 x 3/2 way normally open/closed	Spool	6mm	G1/8	<b>77.022.34.00</b>

### Dimensional drawings



# Air Pilot Control Manifold Valves

## 5/3 Way G1/8 Double Pilot Control

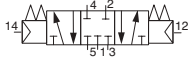
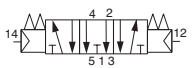
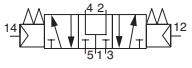
### Technical information

<b>Pressure range:</b>	3-8 bar
<b>Temperature range:</b>	-5°C...+50°C
<b>Flow rate:</b>	600 NI/min
<b>Housing:</b>	Aluminium alloy
<b>Sealing element:</b>	Soft spool
<b>Lubricant:</b>	Not required
<b>Operating medium:</b>	5 micron filtered, lubricated or non-lubricated compressed air

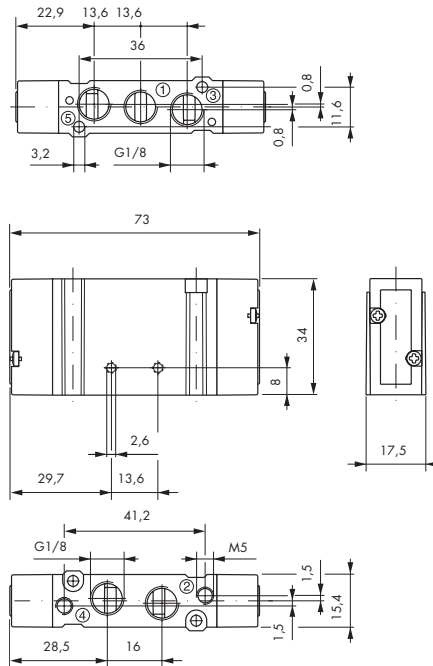


### Other information

Subplates are available for this product, see data sheet M1018.

Symbol	Description	Type	Orifice	Ports	Order code
	5/3 way all ports closed	Spool	6mm	G1/8	<b>77.022.12.00</b>
	5/3 way ports 2 & 4 exhaust	Spool	6mm	G1/8	<b>77.022.22.00</b>
	5/3 way ports 2 & 4 pressurised	Spool	6mm	G1/8	<b>77.022.32.00</b>

### Dimensional drawings



# Solenoid Operated Manifold Valves

## 5/3 Way G1/8 Double Solenoid Control

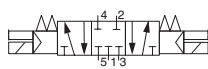
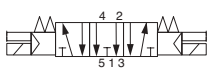
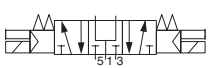
### Technical information

<b>Pressure range:</b>	3-8 bar
<b>Temperature range:</b>	-5°C...+50°C
<b>Flow rate:</b>	600 NI/min
<b>Housing:</b>	Aluminium alloy
<b>Sealing element:</b>	Soft spool
<b>Lubricant:</b>	Not required
<b>Operating medium:</b>	5 micron filtered, lubricated or non-lubricated compressed air

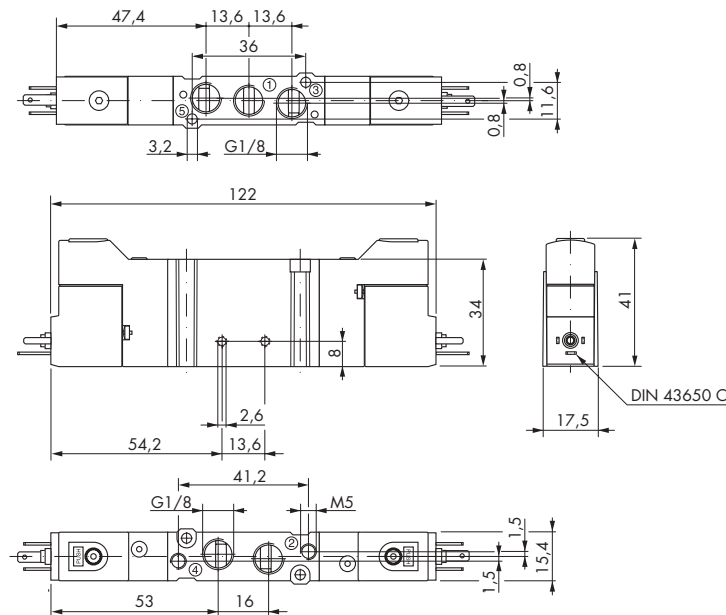


### Other information

Order coils & connecting plugs separately, see data sheet M1020.  
Subplates are available for this product, see data sheet M1018.  
For low pressure use, external auxiliary ports are available.

Symbol	Description	Type	Orifice	Ports	Order code
	5/3 way all ports closed	Spool	6mm	G1/8	<b>77.012.12.00</b>
	5/3 way all ports closed + auxiliary ports	Spool	6mm	G1/8	<b>77.032.12.00</b>
	5/3 way ports 2 & 4 exhaust	Spool	6mm	G1/8	<b>77.012.22.00</b>
	5/3 way ports 2 & 4 exhaust + auxiliary ports	Spool	6mm	G1/8	<b>77.032.22.00</b>
	5/3 way ports 2 & 4 pressurised	Spool	6mm	G1/8	<b>77.012.32.00</b>
	5/3 way ports 2 & 4 pressurised + auxiliary ports	Spool	6mm	G1/8	<b>77.032.32.00</b>

### Dimensional drawings





# Air Pilot Operated Manifold Valves

## 5/2 Way G1/8 Double & Single Pilot Control

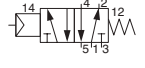
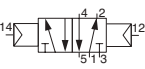
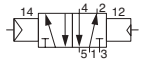
### Technical information

<b>Pressure range:</b>	2-8 bar
<b>Temperature range:</b>	-5°C...+50°C
<b>Flow rate:</b>	800 NI/min
<b>Housing:</b>	Aluminium alloy
<b>Sealing element:</b>	Soft spool
<b>Lubricant:</b>	Not required
<b>Operating medium:</b>	5 micron filtered, lubricated or non-lubricated compressed air

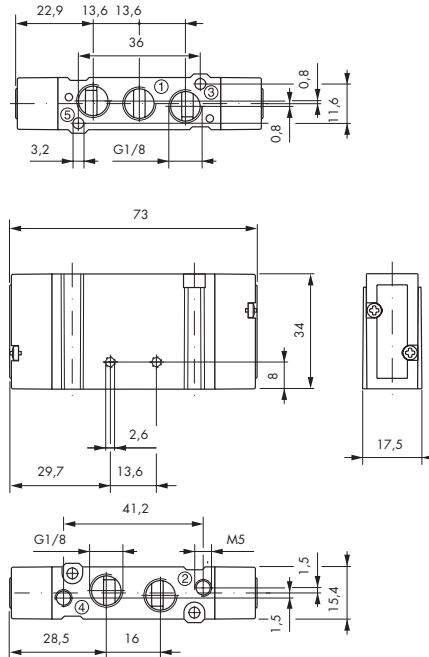


### Other information

Subplates are available for this product, see data sheet M1018.

Symbol	Description	Type	Orifice	Ports	Order code
	5/2 way single pilot	Spool	6mm	G1/8	77.022.91.00
	5/2 way double pilot	Spool	6mm	G1/8	77.022.92.00
	5/2 way double pilot with priority	Spool	6mm	G1/8	77.022.93.00

### Dimensional drawings



# Solenoid Operated Manifold Valves

## 5/2 Way G1/8 Double & Single Solenoid Control

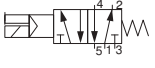
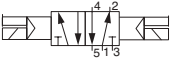
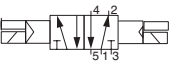
### Technical information

<b>Pressure range:</b>	2-8 bar
<b>Temperature range:</b>	-5°C...+50°C
<b>Flow rate:</b>	800 NI/min
<b>Housing:</b>	Aluminium alloy
<b>Sealing element:</b>	Soft spool
<b>Lubricant:</b>	Not required
<b>Operating medium:</b>	5 micron filtered, lubricated or non-lubricated compressed air

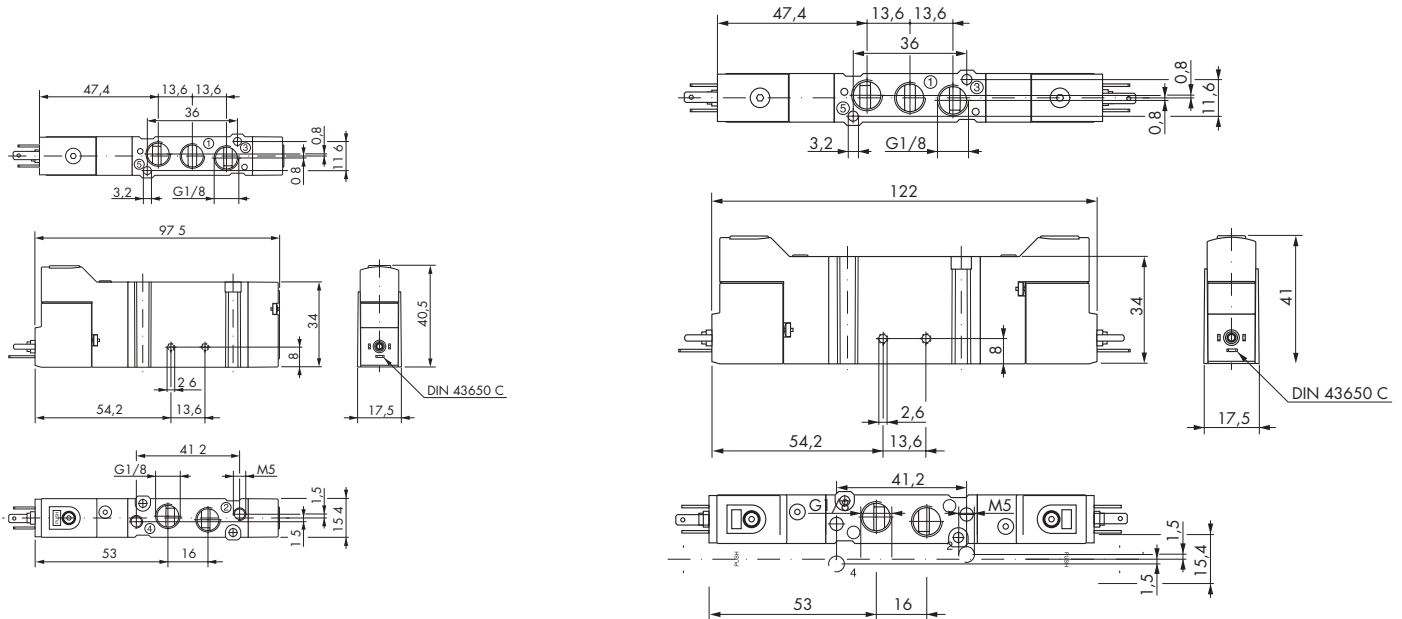


### Other information

Order coils & connecting plugs separately, see data sheet M1020.  
Subplates are available for this product, see data sheet M1018.  
For low pressure use, external auxiliary ports are available.

Symbol	Description	Type	Orifice	Ports	Order code
	5/2 way single solenoid	Spool	6mm	G1/8	<b>77.012.91.00</b>
	5/2 way single solenoid + auxiliary ports	Spool	6mm	G1/8	<b>77.032.91.00</b>
	5/2 way double solenoid	Spool	6mm	G1/8	<b>77.012.92.00</b>
	5/2 way double solenoid + auxiliary ports	Spool	6mm	G1/8	<b>77.032.92.00</b>
	5/2 way double solenoid with priority	Spool	6mm	G1/8	<b>77.012.93.00</b>
	5/2 way double solenoid with priority + auxiliary ports	Spool	6mm	G1/8	<b>77.032.93.00</b>

### Dimensional drawings



# Solenoid Operated Manifold Valves

## 2 x 3/2 Way G1/8 Double Solenoid Control

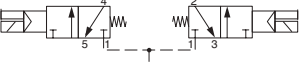
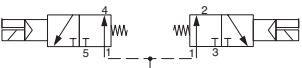
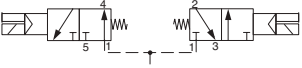
### Technical information

<b>Pressure range:</b>	2-8 bar
<b>Temperature range:</b>	-5°C...+50°C
<b>Flow rate:</b>	800 NI/min
<b>Housing:</b>	Aluminium alloy
<b>Sealing element:</b>	Soft spool
<b>Lubricant:</b>	Not required
<b>Operating medium:</b>	5 micron filtered, lubricated or non-lubricated compressed air



### Other information

Order coils & connecting plugs separately, see data sheet M1020.  
Subplates are available for this product, see data sheet M1018.  
For low pressure use, external auxiliary ports are available.

Symbol	Description	Type	Orifice	Ports	Order code
	2 x 3/2 way normally closed	Spool	6mm	G1/8	<b>77.012.14.00</b>
	2 x 3/2 way normally closed + auxiliary ports	Spool	6mm	G1/8	<b>77.032.14.00</b>
	2 x 3/2 way normally open	Spool	6mm	G1/8	<b>77.012.24.00</b>
	2 x 3/2 way normally open + auxiliary ports	Spool	6mm	G1/8	<b>77.032.24.00</b>
	2 x 3/2 way normally open/closed	Spool	6mm	G1/8	<b>77.012.34.00</b>
	2 x 3/2 way normally open/closed + auxiliary ports	Spool	6mm	G1/8	<b>77.032.34.00</b>

### Dimensional drawings

